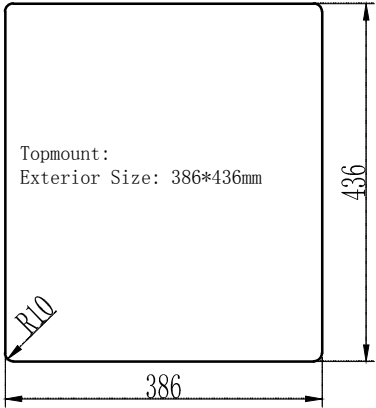
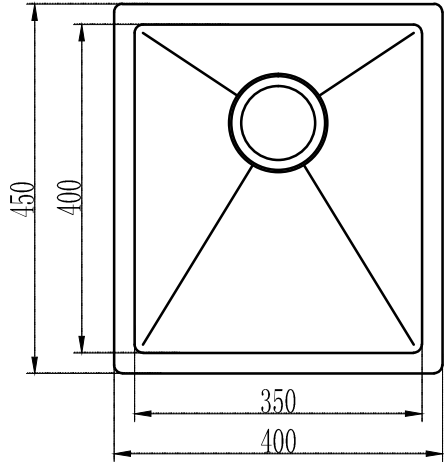
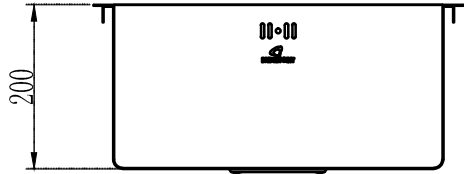
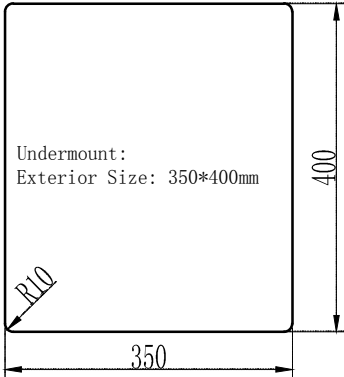


# BPS151350BN

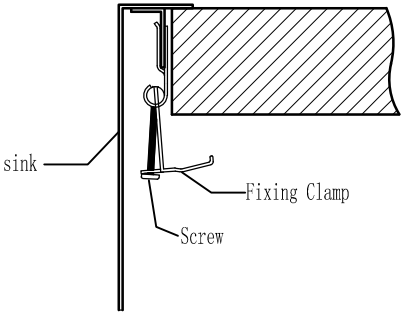
Topmount Installation



Undermount Installation



TOPMOUNT INSTALLATION



UNDERMOUNT INSTALLATION

