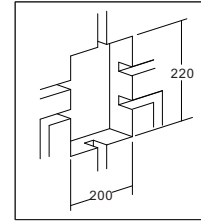


Feature of E-box

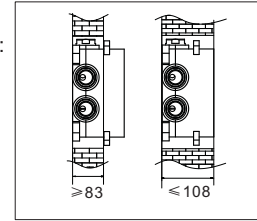
1. Small size.
2. Easy-installation in solid and cavity wall.
3. The Pre-embedded part (E-box) and control valve are installed separately, so that it can avoid any damage on the chrome surface.
4. The Pre-embedded part (E-box) and control valve can be purchased separately. It is special good for project of contractor.
5. It can work with different kinds of cartridge such as $\varnothing 35$ or $\varnothing 40$, with different handles or plates.
6. It can work with single-function control valve or multi-function control valve.
7. The pipes can be flushed and tested for leakage before installing the control valve.
8. The plate is designed with water-proof. It can avoid water penetrating into the E-box or inside wall.
9. There is buffering device in the control valve to protect the cartridge.
10. Diverter is pressing style for easy-operation.

Preparation before installation

1. The size of the hole in the wall for installation complies with the dimension required below.

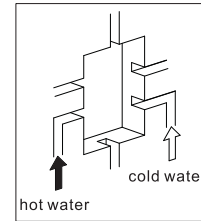


The required size of the hole in the wall is :
Length \geq 200mm;
Height \geq 220mm.

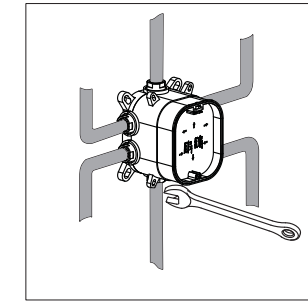


The minimum depth of the e-box is 83mm, maximum is 108mm.

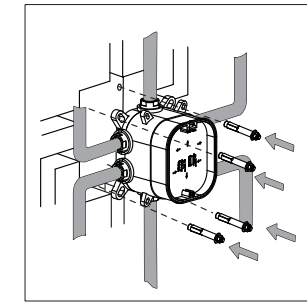
2. Requirement of water pipe: left side is for hot water, right side is for cold water.



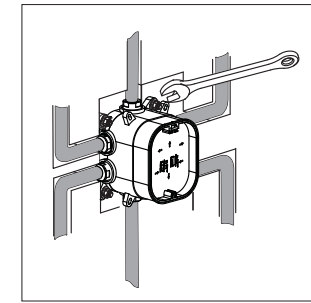
3. Water pressure: 0.05Mpa- 1.0Mpa
Best performance at: 0.1Mpa-0.5Mpa
Temperature: 5°C-80°C
Recommended hot water temperature:65°C



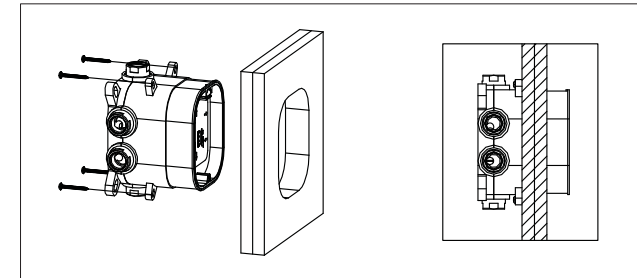
2. Connect the inlets of hot and cold water pipes as well as other function water pipes to the E-box, tighten with wrench.



3. Drill the installation hole referring to the drawing of the hole provided and level gauge. Then drill 4 positioning holes according to the positioning marks.



4. Put the E-box into the hole drilled and fix the E-box with 4pcs of expansion screws. Before tightly fix with wrench, please adjust the E-box to make sure that it levels with the ground.



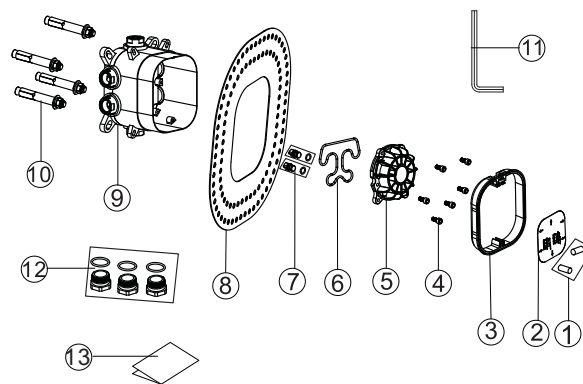
5. If the wall is not solid, but cavity wall. Please install the E-box as shown in figure. Then fix the E-box to the wall with self tapping screws.

Packing list

Please check whether all the items in the packing list are included in the box. If any item is missed, please contact us or the local agent for help.

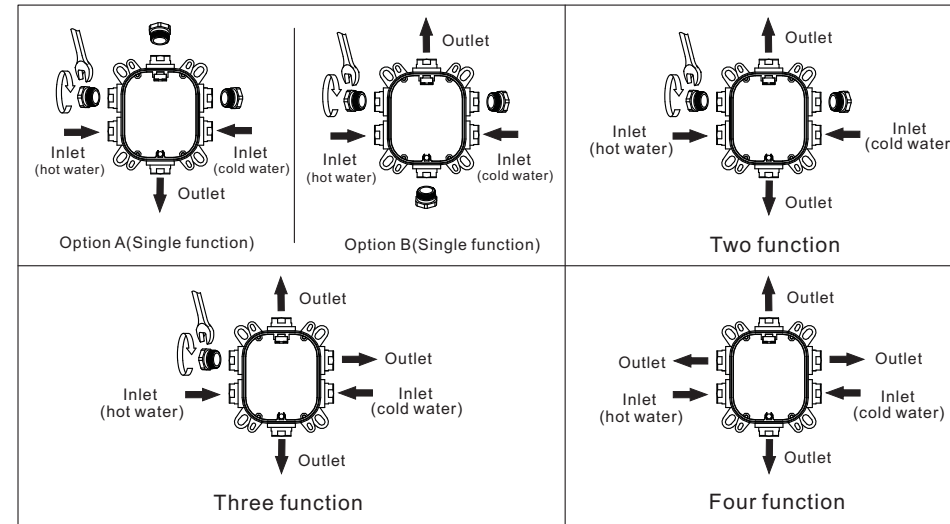
- Remarks:
1. The accessories might be changed without in advance notification when the change doesn't affect the usage.
 2. The appearance and dimension of the product are subjected to the real product. The drawing or photo is for reference only.

No.	DESCRIPTION	QTY(PC)
1	Gradienter	2
2	Indicating sticker	1
3	Gradienter plank	1
4	Allen head screw	6
5	Sealing board for E-box	1
6	Ring for sealing board	1
7	Plug	2
8	Rubber gasket	1
9	BE E-box (Pre-embedded part)	1
10	Expansion screw	4
11	Allen Key	1
12	Plug	3
13	Installation guide and warranty card	1



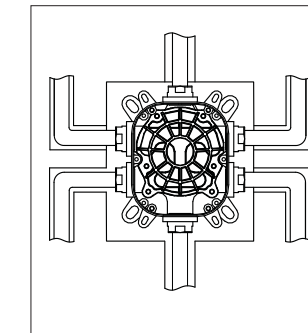
Installation guide

1. Installation guide

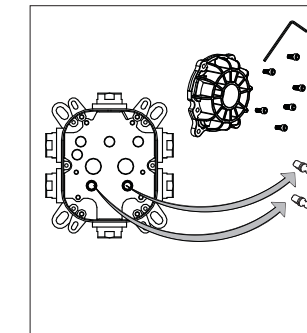


1. NOTE: E-BOX is with multi-function control valve, customer can choose the function to use and please follow above picture instruction to cover the outlet with the nuts.

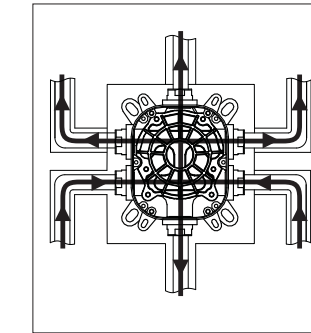
2. Testing procedure



1. Open the water supply valve to check whether any leaking from any connection parts.

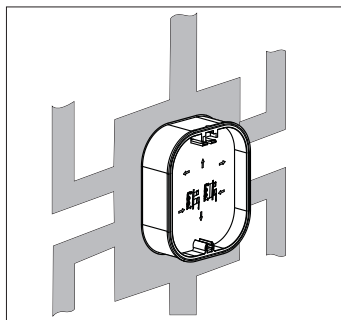


2. Disassemble the sealing board from the embedded body with the provided Allen Key. Remove the two sealing rubber plugs from the body. Then re-install the sealing board with the Allen key.

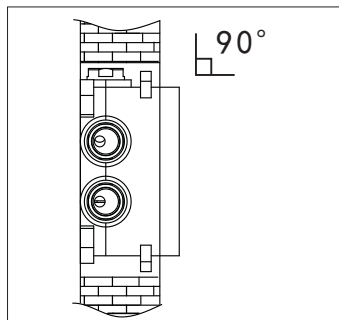


3. Open the water supply valve for a few minutes in order to flush all the mud and sand in the pipes.

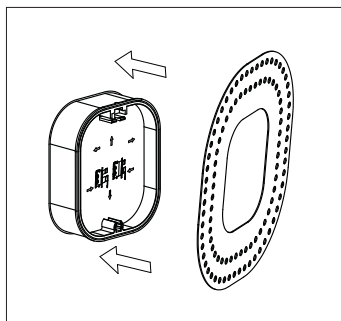
3 Sealing wall



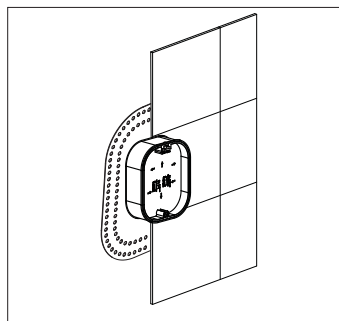
1. Make sure no leaking after the test mentioned above, then seal the E-box and the water pipe with cement.



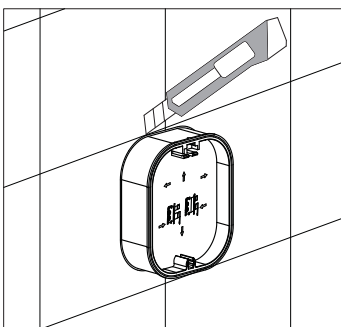
Important: make sure the protruding part of E-box is perpendicular to the surface of the wall. It is critical for putting tile on the wall.



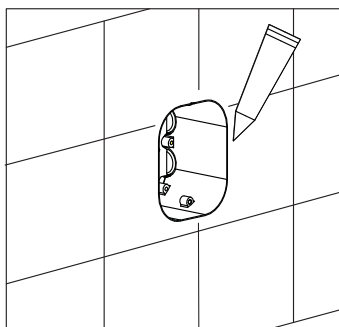
2. Glue the rubber gasket around the protruding E-box to protect the wall around the E-box.



3. Tiling. Try to narrow the gap between the protruding E-box and the tile. It is critical for installing the control valve later.



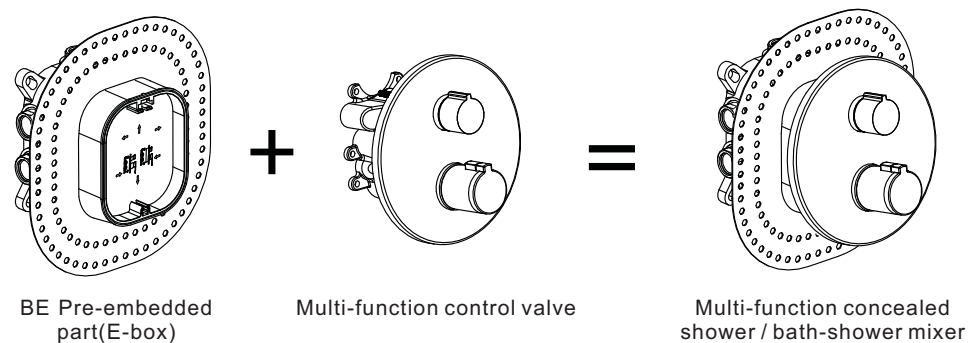
4. After tiling, cut the protruding part of the E-box.



5. Glue the glass cement to the around of the E-box. Then we have finished the installation of the E-box. We can continue the installation of the control valve now.

Using guide

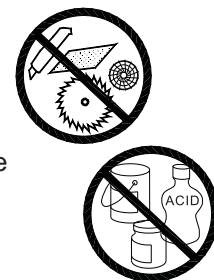
The E-box is only the pre-embedded part of the multi-function or thermostatic shower/ bath-shower mixer. It can not work without the control valve. Please refer to the following diagrams for E-box and control valve matching installation:



Maintenance

1 Clean the product with gentle liquid or glass cleaner.

2 During decoration or after decoration but still do not reside in it, or no body stays in house for long time, please close the water supply valve to avoid damage in case of high water pressure.



● The installation guide is for reference only.
Right of modification and explanation is reserved by our company.

Installation guide (BE E-box)

