

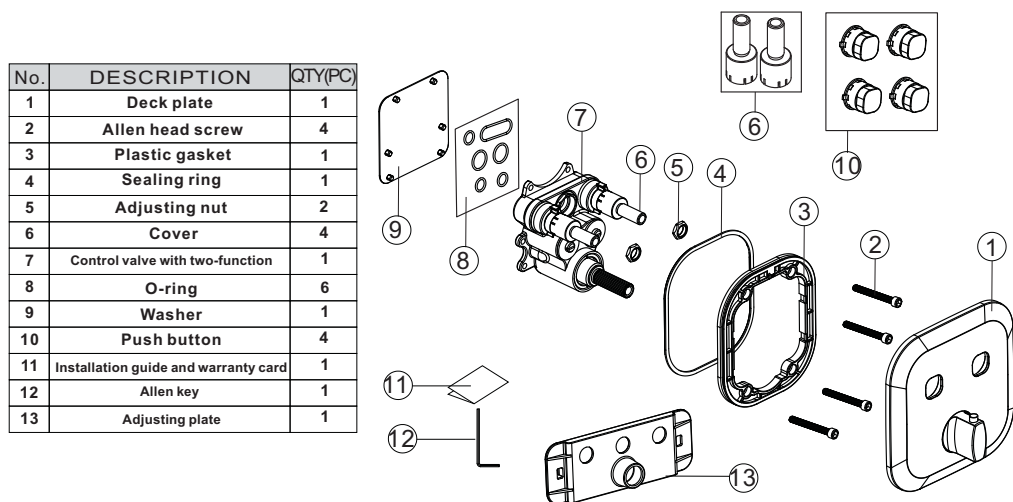
Feature of E-box

1. Small size.
2. Easy-installation in solid and cavity wall.
3. The Pre-embedded part (E-box) and control valve are installed separately, so that it can avoid any damage on the chrome surface.
4. The Pre-embedded part (E-box) and control valve can be purchased separately. It is special good for project of contractor.
5. It can work with different kinds of cartridge such as $\varnothing 35$ or $\varnothing 40$, with different handles or plates.
6. It can work with single-function control valve or multi-function control valve.
7. The pipes can be flushed and tested for leakage before installing the control valve.
8. The plate is designed with water-proof. It can avoid water penetrating into the E-box or inside wall.
9. There is buffering device in the control valve to protect the cartridge.
10. Diverter is pressing style for easy-operation.

Packing list for control valve with two-function

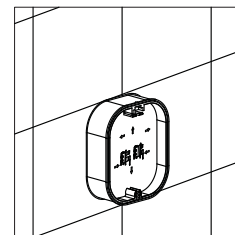
Please check whether all the items in the packing list are included in the box. If any item is missed, please contact us or the local agent for help.

- Remarks:
- 1 The accessories might be changed without in advance notification when the change doesn't affect the usage.
 - 2 The appearance and dimension of the product are subjected to the real product.
The drawing or photo is for reference only.

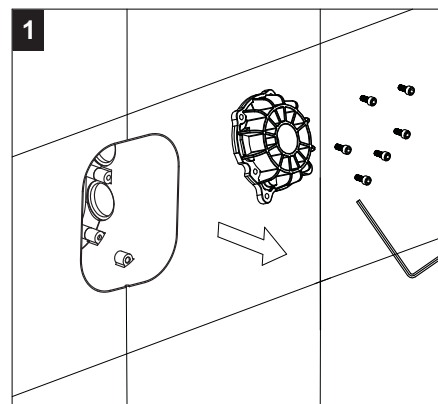


Preparation before installation

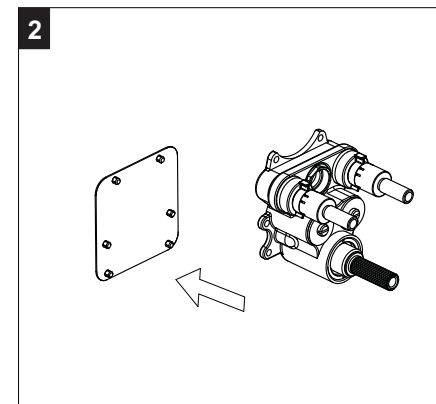
- 1 The control valve can be installed only after the E-box has been installed. For the installation of the E-box, please refer to the installation guide of E-box.
- 2 Water pressure: 0.05Mpa- 1.0Mpa
Best performance at: 0.1MPa-0.5MPa
Temperature: 5° C-80° C
Recommended hot water temperature:65° C



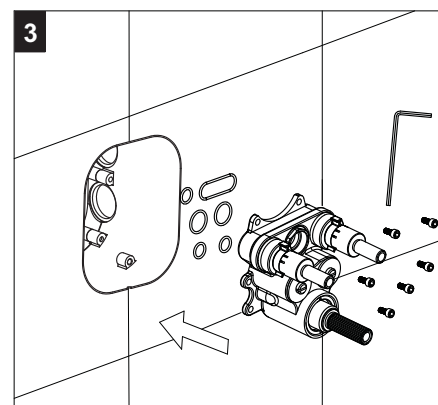
Installation guide



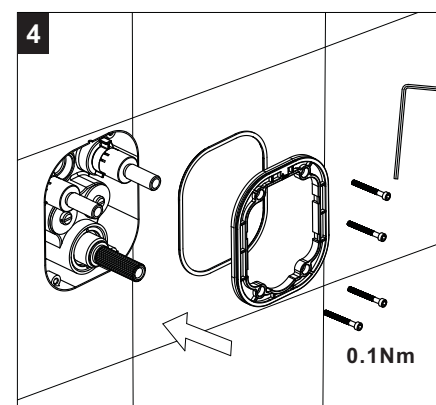
- 1 Shut off the water, disassemble the testing plate by the Allen key.



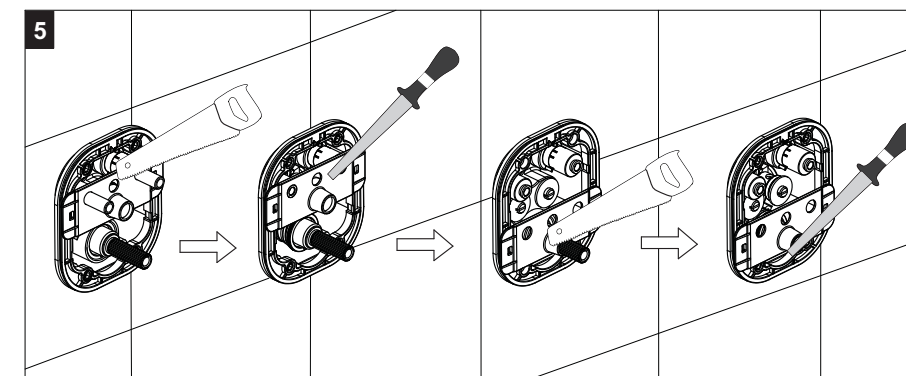
- 2 As picture shown, take off the plastic washer from the thermostatic control valve.



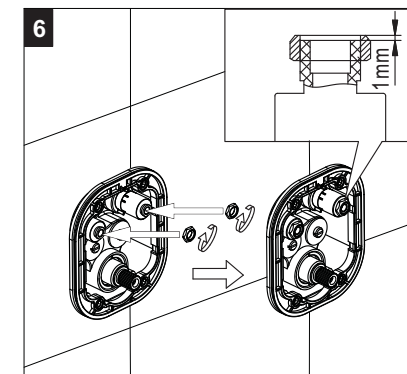
- 3 Put the thermostatic control valve into the E-box as shown. Fix it in the E-box by tightening the allen screw. (Important: make sure to put in all the sealing ring.)



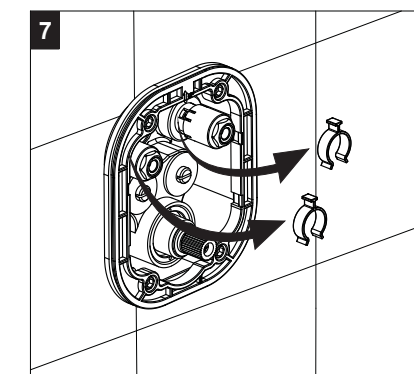
- 4 As picture shown, put the sealing ring first, then o-ring and the plastic gasket. Fix the plastic gasket with allen head screw. Please adjust the plastic gasket in the right position before tightening the screw(0.1Nm).



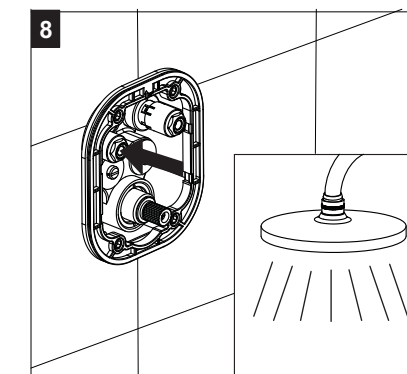
- 5 As picture shown, assemble the adjusting plate, and cut the extra plastic adjusting cover from the thermostatic control valve, then smooth the excessive flashing, make sure it is in the same level with the adjusting plate, after that, take off the adjusting plate.



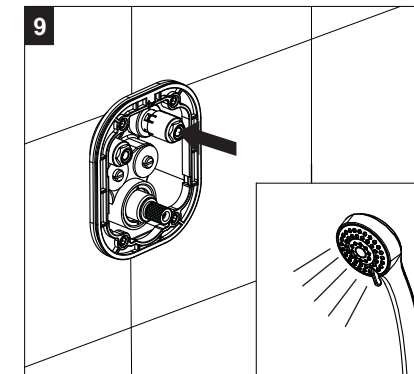
- 6 As picture shown, put the adjusting nut onto the plastic adjusting cover, make sure that there will be 1mm distance between the nut and the edge of the cover.



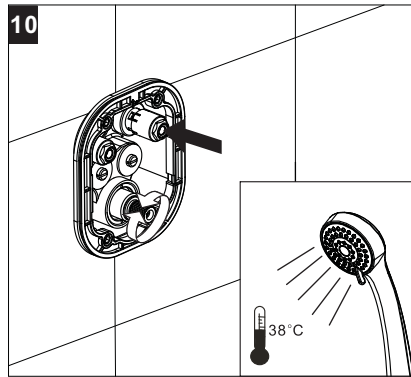
- 7 Take off the plastic fixing cover from thermostatic control valve.



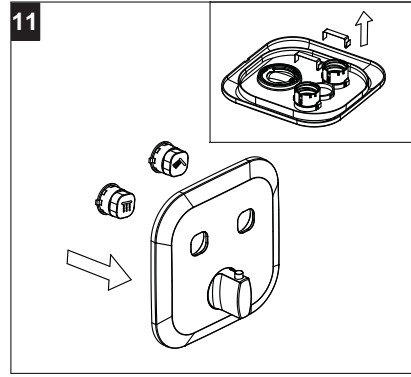
- 8 Push the left button in the control valve and test water.



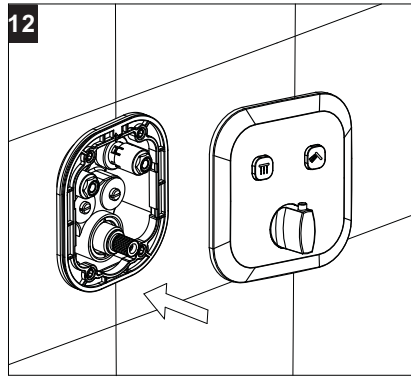
- 9 Push the right button in the control valve and test water.



10 Adjust the insert of the control valve handle to make the temperature be 38°C as shown.



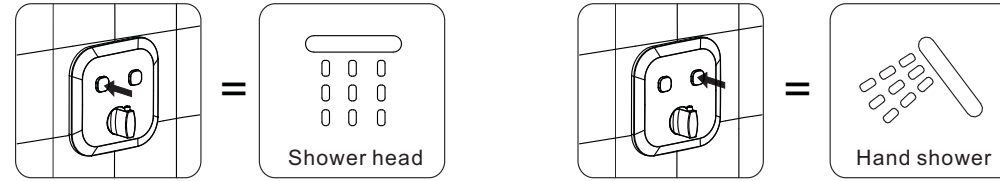
11 After testing, tear off the sticker of the fixing cover in the back of the flange, then assemble the push button. (Remark: the push button must be matched the relating function)



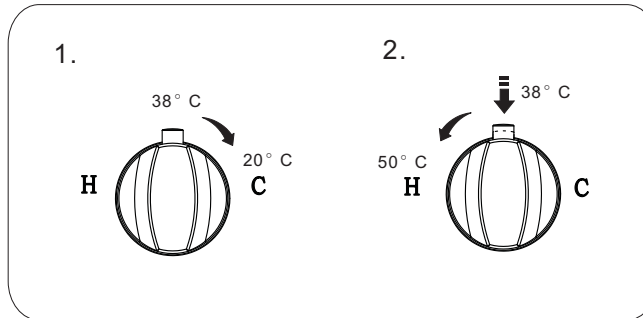
12 At last put the flange onto the control valve, finishing assemble.

Switch function

Switch function image:



Temperature adjustment function:



When the temperature of water under 38°C, adjustment was shown in pic 1;
When the temperature of water above 38°C, press the button and then to adjust the temperature of water (shown in pic 2).

Maintenance

- 1** Clean with water and dry it with soft cloth.
- 2** Clean the product with gentle liquid or glass cleaner.
- 3** Don't clean with abrasive material, abrasive paper or knife.
- 4** Don't use acid cleaner.
- 5** During decoration or after decoration but still do not reside in it, or no body stays in house for long time, please close the water supply valve to avoid damage in case of high water pressure.

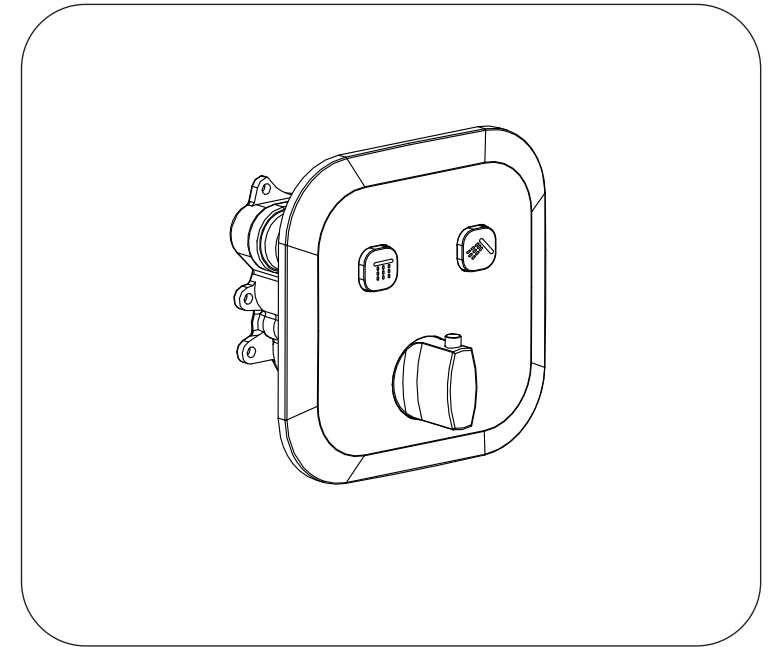


- The installation guide is for reference only.
Right of modification and explanation is reserved by our company.

Installation guide

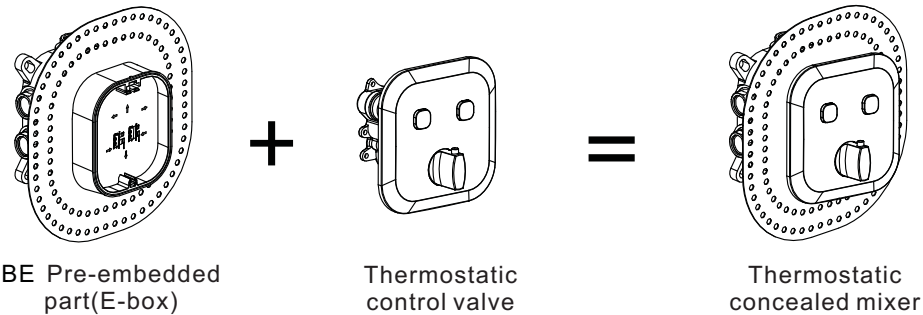
BE E-box

(Two function thermostatic control valve)



Using guide

The E-box is only the pre-embedded part of the concealed shower mixer.
It cannot work without the control valve. Please refer to the following drawing:



BE Pre-embedded part(E-box)

Thermostatic control valve

Thermostatic concealed mixer